

SKU Number: XN1802-SUB-0000-8354

Description

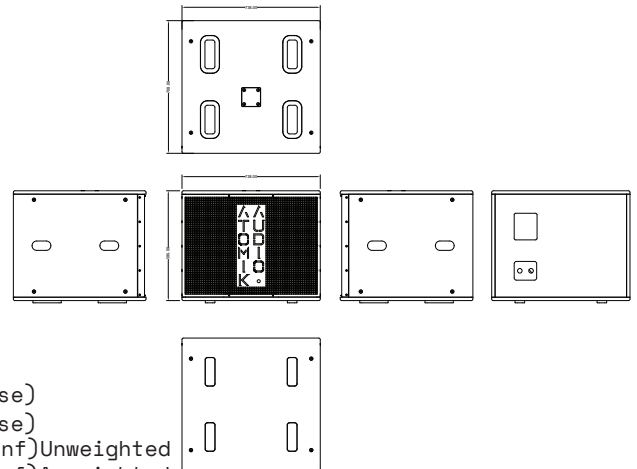
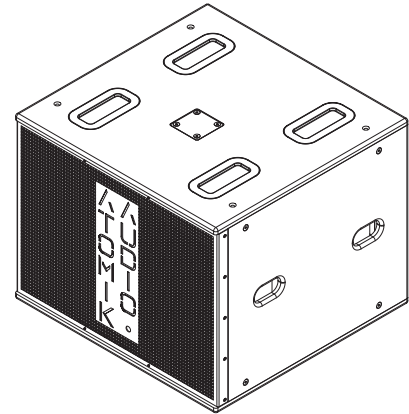
The Atomik XN 18.0.2 is a high powered ported sub bass loudspeaker, designed for the pro-audio rental and fixed installation markets. This design is able to achieve high SPLs for a bass reflex design. The four large ports ensure high output with very low distortion and power compression. It can be paired with any of the Atomik XN series of full range loudspeakers.

Features

- Very high SPL output for a single 18" subwoofer.
- 18" driver with 4" voice coil.
- Exceptional punch and impact from a single driver subwoofer.
- Dual Neutrik NL4 connectors.
- Heavy duty 18mm marine plywood enclosure.
- 2mm thick steel grill with an acoustic micro-foam backing.
- Recessed pocket for the speakon connectors.
- Perfectly suited for any DJ or Live performance.

Technical specifications

- LF Driver - 18" ferrite sub driver with a 100 mm voice coil.
- Enclosure - Ported
- Axial Sensitivity - 98dB @ 1w/1m
- Maximum SPL - 130.0dB Peak SPL (Measured-AES75-2022 M-Noise)
 133.8dB Peak SPLinf(Measured-AES75-2022 M-Noise)
 120.3dB SPL(130.0dB SPL peak,133.8dB SPL peak inf)Unweighted
 98.2dB SPL(109.8dB SPL peak,126.4dB SPL peak inf)A weighted
 119.6dB SPL(129.5dB SPL peak,133.2dB SPL peak inf)C weighted
- Power - Max 1200 watts long term continuous / Peak 2400 watts
- Nominal Impedance - 8 ohms
- Frequency Response - -3dB 42Hz to 300kHz
- Dimensions in mm & in WxHxD - 738mm x 595mm x 708mm,
 29" x 23.4" x 27.9"
- Weight - 47kgs / 104lbs



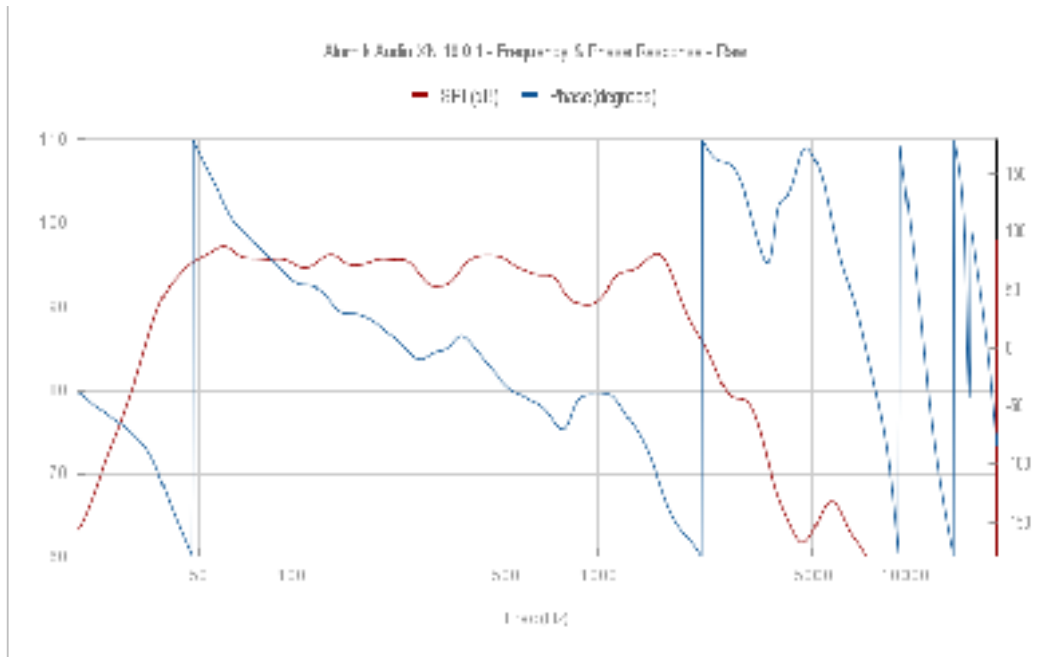
Dimensions in mm

Accessories

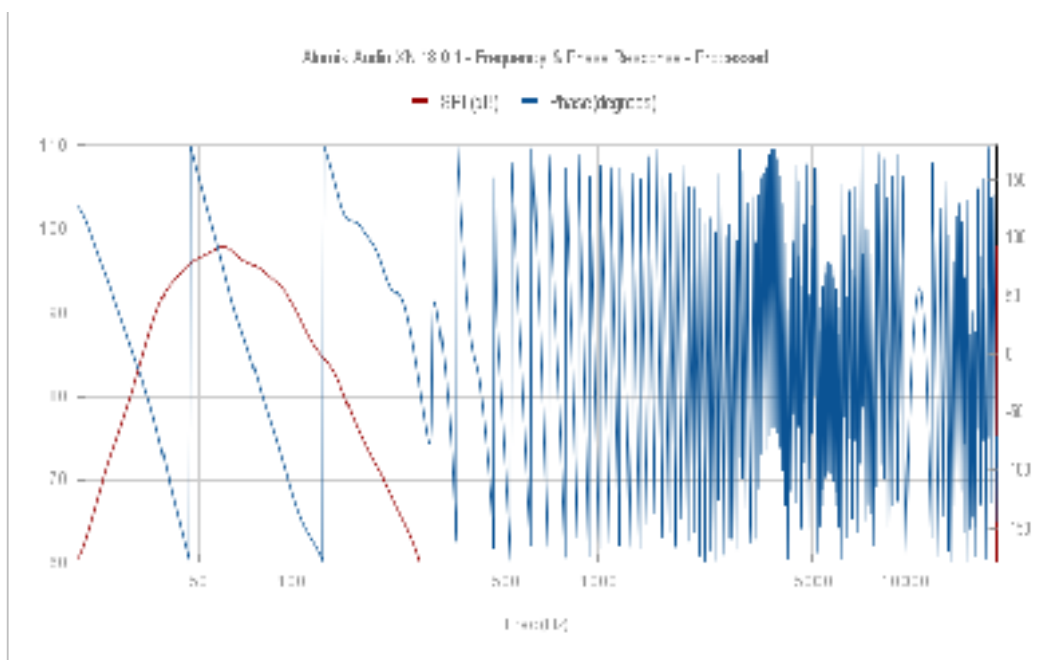
- Top Hat
- Top Hat Plate
- Mounting Pole
- Eye Bolt
- Base - Install
- Base - Rental
- Wheel Board
- Soft Cover
- Rain Cover

Applications

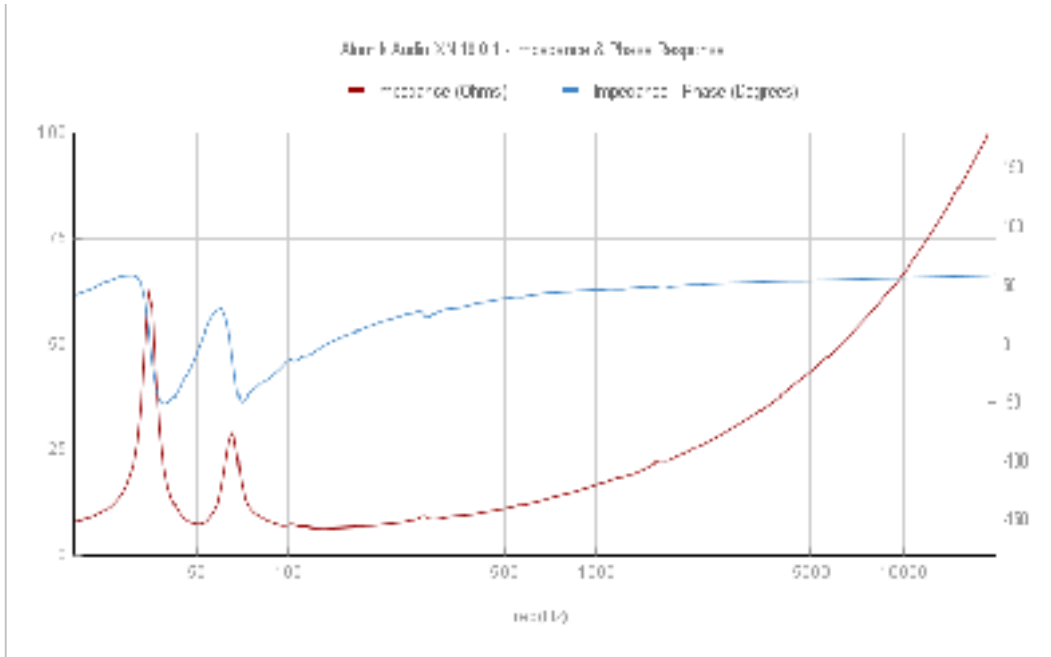
- Rental
- HOW
- Clubs
- Bars
- Restaurants
- Auditoriums
- Gyms



Frequency & Phase Response - Raw



Frequency & Phase Response - Processed



Impedance & Phase Response